

WIRING DIAGRAM

Model: 20kW and 23kW Electric Furnace with FSHE ECM

240VAC

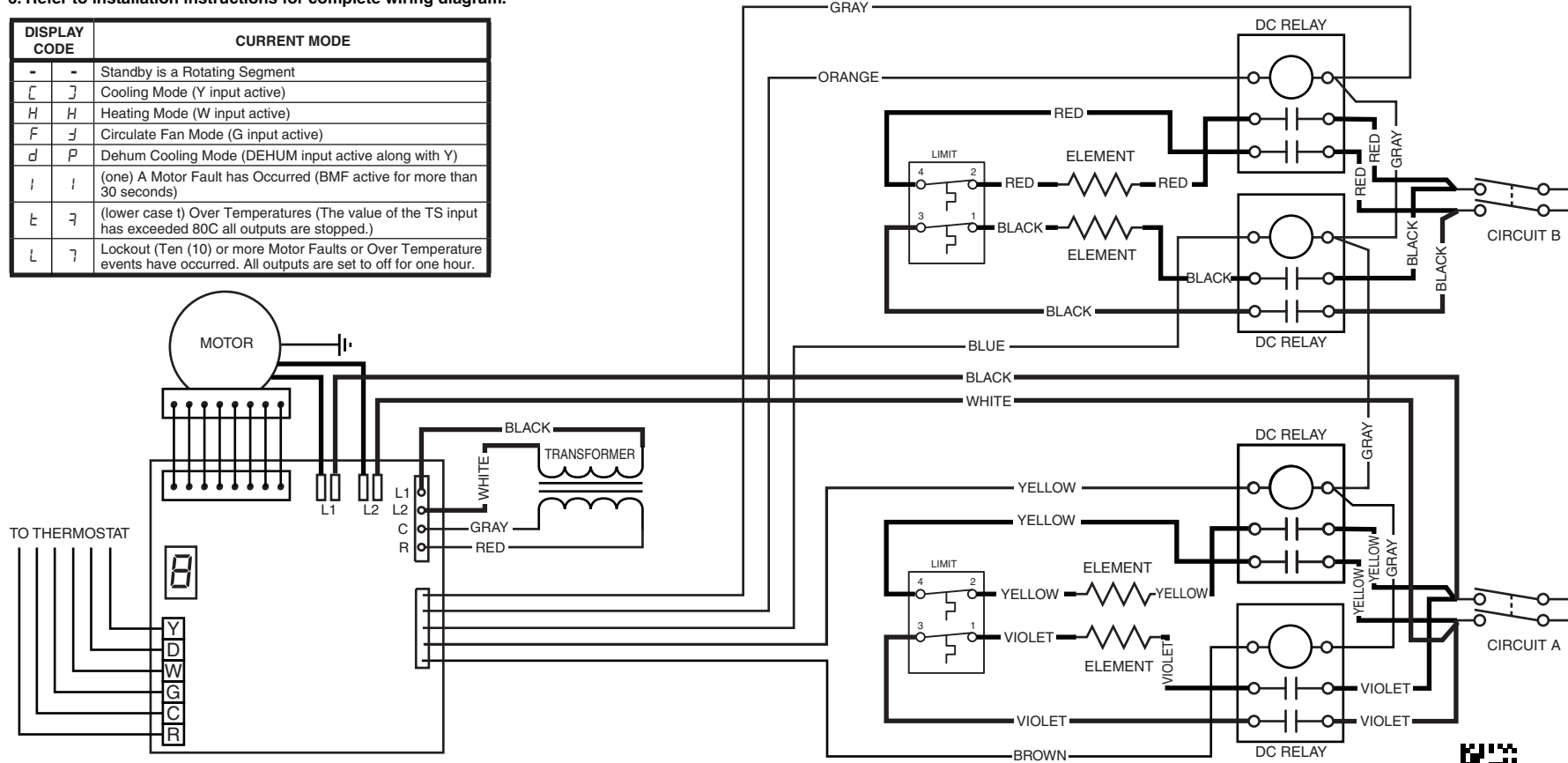
1Ph/60Hz

NOTES:

1. Supply wire size must be in accordance to the applicable revision of the NEC and all other applicable codes.
2. To change blower speed refer to installation instructions
3. Refer to furnace installation instructions for thermostat connections.
4. If any wire in this unit is to be replaced it must be replaced with 105° C thermoplastic copper wire of the same gauge.
5. Not suitable for use on systems exceeding 120V to ground.
6. Refer to installation instructions for complete wiring diagram.

1. La taille du câblage d'alimentation doit être conforme à la révision applicable des codes NEC et des autres codes applicables.
2. Pour changer la vitesse du ventilateur, consultez les instructions d'installation.
3. Consultez les instructions d'installation de la fournaise pour les branchements du thermostat.
4. Si l'un ou l'autre des fils de cette unité requiert un remplacement, il doit être remplacé par un fil en cuivre thermoplastique 105 °C du même gabarit.
5. Ne convient pas à l'utilisation sur les systèmes qui excèdent 120 V à la terre.
6. Consultez les instructions d'installation pour un schéma de câblage complet.

DISPLAY CODE	CURRENT MODE
- -	Standby is a Rotating Segment
[]	Cooling Mode (Y input active)
H H	Heating Mode (W input active)
F F	Circulate Fan Mode (G input active)
d P	Dehum Cooling Mode (DEHUM input active along with Y)
! !	(one) A Motor Fault has Occurred (BMF active for more than 30 seconds)
t 7	(lower case t) Over Temperatures (The value of the TS input has exceeded 80C all outputs are stopped.)
L 7	Lockout (Ten (10) or more Motor Faults or Over Temperature events have occurred. All outputs are set to off for one hour.



LEGEND:

FIELD WIRING	---
LOW VOLTAGE	---
HIGH VOLTAGE	---

NOTE: DISPLAY CODE may be inverted depending on final installation orientation.



10257230
03/19